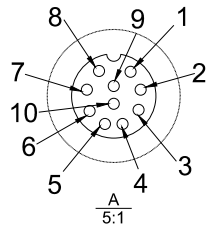
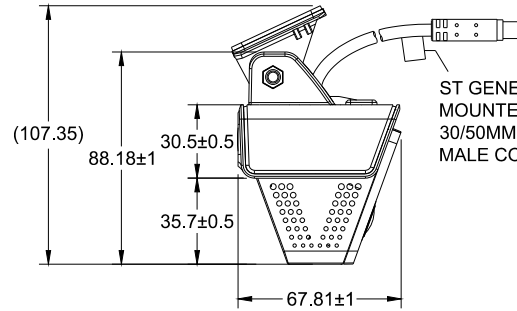
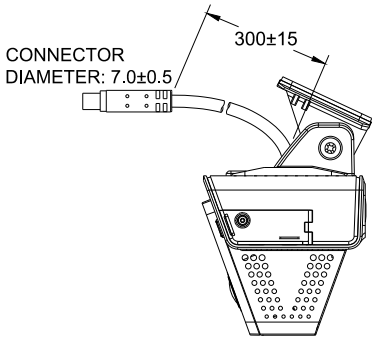
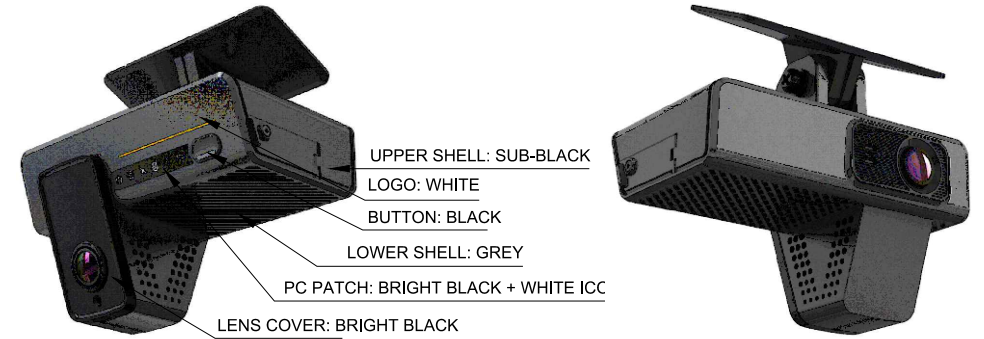
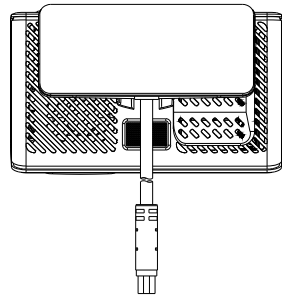
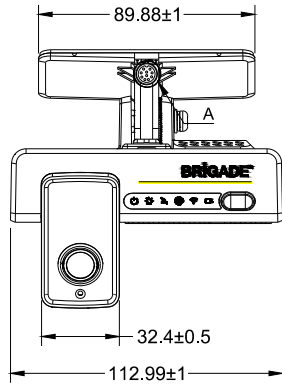
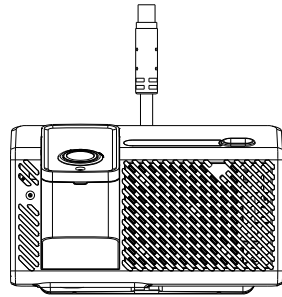


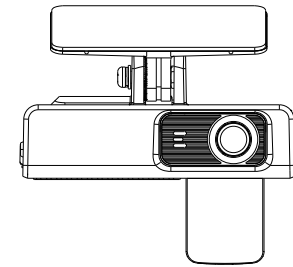
REV NO	REVISION NOTES	DRAWN	CHECKED	APA	ENGINEERING	CUSTOMER	DATE
01	UPDATED FW VERSION AND CONFIG VERSION AS PER CR-1192-1	J. YU	L. CHEUNG	J. LIU	S. ZHANG	N/A	30/04/2026



- 10 DC+ RED + RED / WHITE
- 9 DC- BLACK + BLACK / WHITE
- 8 TX WHITE
- 7 RX BROWN
- 6 SIN1 PURPLE
- 5 SIN2 BLUE
- 4 3.3V GREY
- 3 CANH GREEN
- 2 CANL YELLOW
- 1 ACC ORANGE



ST GENERIC PD-CBL-LBL MOUNTED WITHIN 30/50MM FROM MALE CONNECTOR



PART NO.	MODEL NO.	CONFIG VERSION
7477	DC-204-AI(UK/EU)	UK CONFIG - 270326
7487	DC-204-AI(NA)	US CONFIG - 270326

- NOTES:
- FOR PRODUCT LABELS AND PACKAGING DETAILS REFER TO MASTER BOM.
 - REFER TO PRODUCT SPECIFICATION FOR MORE PRODUCT DETAILS.
 - FOR INSTALLATION DETAILS REFER TO 'INSTALLATION GUIDE'.
 - FIRMWARE VERSION DC204AI_E04.526_V3.5.10.4_R26012304 TO BE PRE-LOADED TO THE MAIN BOARD.
 - ANY CUSTOMER MODIFICATION OF THIS PRODUCT CAUSING SUBSEQUENT FAILURE IS NOT A LIABILITY OF BRIGADE ELECTRONICS PLC.

COPYRIGHT © BRIGADE ELECTRONICS GROUP PLC. ALL RIGHTS RESERVED.
 IMPORTANT NOTICE: THE INFORMATION PROVIDED IN THIS DOCUMENT IS FOR GENERAL GUIDANCE AND ILLUSTRATION PURPOSES ONLY AND IS INTENDED TO ASSIST QUALIFIED PROFESSIONALS IN THE PROPER INSTALLATION OF THIS PRODUCT. IT SHOULD NOT BE USED IN ISOLATION BUT IN CONJUNCTION WITH THE RELEVANT USER AND INSTALLATION GUIDES ("GUIDES"). BRIGADE ASSUMES NO RESPONSIBILITY FOR DAMAGE, INJURY, OR LOSS RESULTING FROM IMPROPER INSTALLATION, MISUSE, UNAUTHORIZED MODIFICATIONS, OR FAILURE TO FOLLOW THE INSTRUCTIONS AND SAFETY WARNINGS CONTAINED IN THE GUIDES. ANY OTHER USE OF THIS DOCUMENT IS STRICTLY SUBJECT TO BRIGADE'S PRIOR WRITTEN CONSENT.

Brigade		BE-004805-01-23	
brigade-electronics.com		DC-204-AI(XXXXX)-C	
PROJECT NO	P1678	DRAWING TYPE	PART DRAWING
PART NO.	VARIOUS	ASSEMBLY REF	N/A

DRAWN BY	R. TIMMS	SHEET	1 of 1
CHECKED BY	N/A	UNITS	mm
APA	P. BU	SCALE	NTS
ENGINEER APPROVAL	S. DAVIS	STATUS	RELEASED
CUSTOMER APPROVAL	N/A	RELEASE DATE	23/05/23

